

ENERGY SERIES

The Energy Series is a powerful, versatile, and durable level 2 charging station.

Plug-in or hardwire makes this charging station ideal for indoor and outdoor applications.



ENERGY SERIES

OVERVIEW

PowerCharge™

LEVEL 2 CHARGING STATION

- At up to 6x faster than your standard 110v plug, the Energy Series safely delivers up to 25 miles of range for every hour of charge time
- Footprint smaller than an 8.5" x 11" sheet of paper
- A slim and durable design that is outdoor rated* and mounts discreetly in your garage or at your parking space with a simple plug-in installation (*or hardwire for outdoor installation)
- Adjustable power output allows for the ideal power to match your supply panel, electric vehicle, and driving range (7.6kW output, adjustable to 5.8kW / 3.8kW)
- All-weather durability
- Standard 3-Year Warranty (5-Year Warranty Optional)

SINGLE PORT CHARGING STATION

- Level 2 AC, J1772 single port (dual port pedestal and wall mount available)
- Connector holster with cable hook included

CABLE LENGTH

- Standard 18 foot (optional 25')

EASY INSTALLATION

- Simple plug-in installation or hardwire for outdoor install

MULTIPLE CONFIGURATIONS

- Optional configurations available to fit your EV charging needs



Wall Mount (single)



Wall Mount (dual)



Pedestal Mount (single)



Pedestal Mount (dual)



Pedestal Mount (quad)



Pedestal Mount (shown with cable retractors)

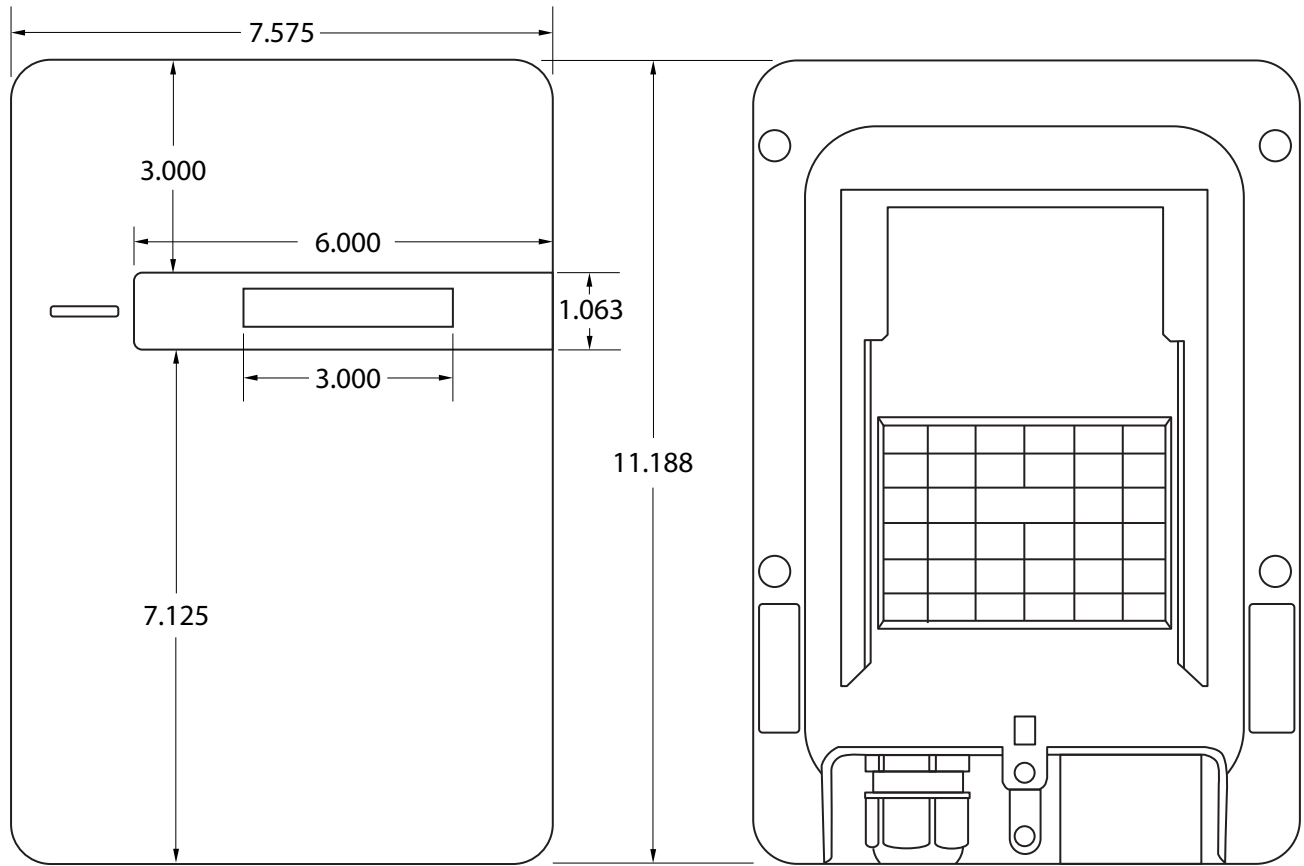


UL-Listed certifies safety criteria in North America

ITEM	E20-SWE	E20-SWC
APPLICATION	Residential/Light Commercial	
VOLTAGE (Vac)	208/240VAC, Single Phase	
FREQUENCY (Hz)	60 Hz	
CURRENT (RMS)	Adjustable 16A / 24A / 32A (3.8kW / 5.8kW / 7.6kW)	
CIRCUIT BREAKER	16A=20A / 24A=30A / 32A=40A	
CHARGING CONNECTOR	SAE J1772	
CHARGING CABLE LENGTH	18' / 25'	25'
METERING ACCURACY	N/A	Embedded ±3%
REAL TIME CLOCK	N/A	Yes (7 days)
WI-FI	N/A	802.11 b/g/n
DISPLAY	N/A	116(L)*8.5(W)*37(H)mm, 5.57mm CHARACTER HEIGHT, 5*8 DOT MATRIX, OLED 20x2
DATA PROTOCOL	N/A	OCPP 1.6
OPERATION TEMPERATURE	-30C/-22F to 50C/122F	
STORAGE TEMPERATURE	-40C/-40F to 70C/158F	
MOUNTING TYPE	Wall Mount / Pedestal Mount (optional)	
WIRING TYPE	Plug-In (NEMA 6-50) or Hard-wired	
IP PERFORMANCE	NEMA 4	
IMPACT RESISTANCE	IK10	
DIMENSION (HxWxH, INCHES)	11.14" x 7.56" x 3.11"	
WEB PORTAL MANAGEMENT	N/A	Yes
CONSOLE MANAGEMENT	Yes	
CERTIFICATION	UL 50/991/1449/1998/2231/2594 FCC Part 15B	
	N/A	FCC Part 15.225 (RFID 13.56MHz)
SAFETY	cULus Listed	
WARRANTY	3-year warranty (5-year available)	

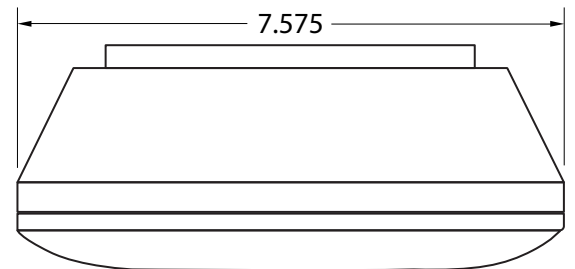
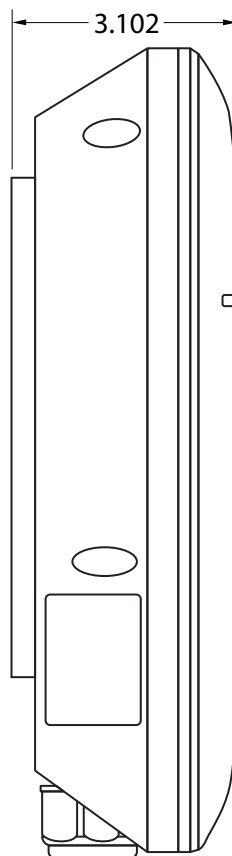
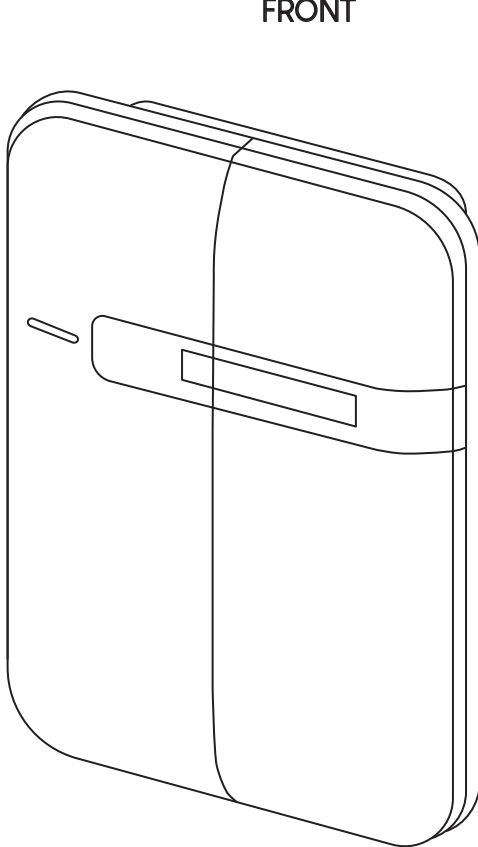
ENERGY SERIES

DIMENSIONS



FRONT

BACK



TOP VIEW

LEFT SIDE