

PowerCharge™

PowerChargeEV.com

Charge Up!

COMMERCIAL ENERGY SERIES

Multiple configurations and mounting options makes the Energy Series the most versatile series in the PowerCharge™ line-up.



PowerCharge™

SLIM & DURABLE DESIGN

- Outdoor rated with multiple mounting configurations
- Small footprint whether wall or pedestal mounted

MULTIPLE MODELS

- Open Access Control
Non-networked common for residential and fleet use
- RFID Access Control
Non-networked model with RFID Card access control
- Networked
When connected to a backend software plan it unlocks features such as point of sale payment, usage data reporting, driver notifications, remote diagnostics, and more

CABLE RETRACTOR

- Optional cable retractor extends the life of the cables by elevating them off the ground, also creating a safe environment

LEVEL 2 CHARGING STATION

- Up to 6x faster than a standard 110v plug, the Energy Series safely delivers up to 25 miles of driving range for every hour of charge time
- Adjustable power output allows for the ideal power to match your supply panel, electric vehicle, and driving range
- 3-Year Warranty standard (5-Year optional)

MOUNT CONFIGURATIONS

- Optional mounting options available



Single Wall Mount

Dual Wall Mount



Single Pedestal

Dual Pedestal

Quad Pedestal

Dual pedestal with cable retractor



Energy Star certified as the result of low power consumption while in stand-by mode



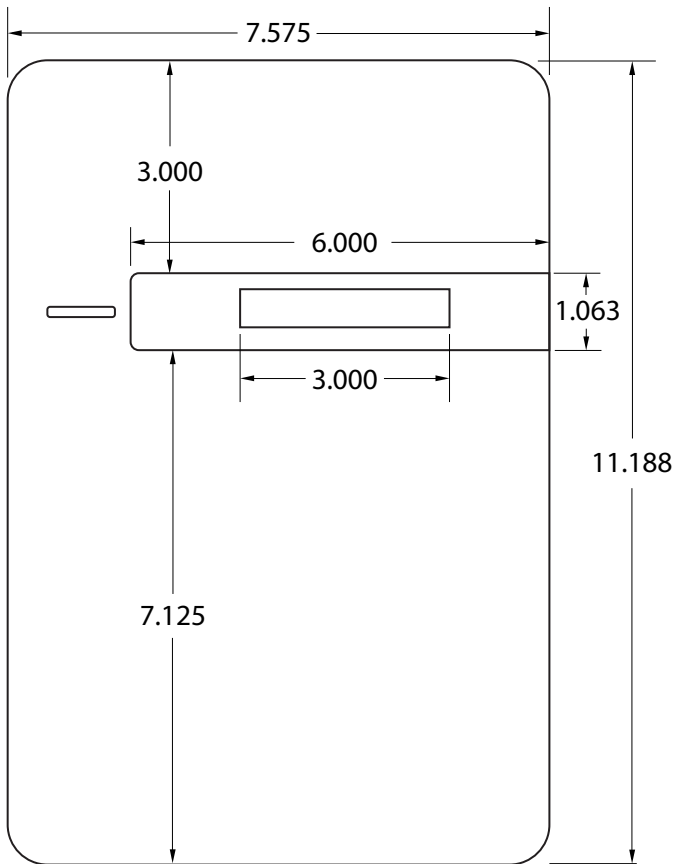
UL-Listed meets safety criteria for use in North America



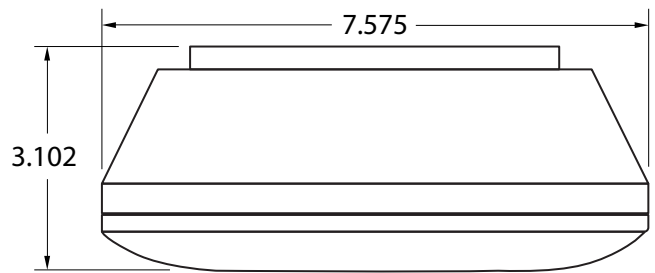
Meets standards for Americans with Disabilities Act

ITEM	E20-XXE	E20XXP
APPLICATION	Commercial	
VOLTAGE (Vac)	208/240VAC, Single Phase	
FREQUENCY (Hz)	60 Hz	
CURRENT (Rms)	Adjustable: 16A/24A/32A (3.8kW/5.8kW/7.6kW)	
CIRCUIT BREAKER	16A=20A/24A=30A/32A=40A	
CHARGING CONNECTOR	SAE J1772	
CHARGING CABLE LENGTH	18 ft.	
METERING ACCURACY	N/A	Embedded 3%
REAL TIME CLOCK	N/A	Yes (7 days)
WI-FI	N/A	802.11 b/g/n
CELLULAR	N/A	LTE CDMA/GSM
RFID	N/A	ISO 14443 A/B ISO 15693 NFC NEMA interoperability protocol
DISPLAY	Color LED Status Lights	116(L)*8.5(W)*37(H)mm 5.57mm CHARACTER HEIGHT 5*8 DOT MATRIX OLED 20x2
DATA PROTOCOL	N/A	OCPP 1.6 J
OPERATION TEMPERATURE	-30C/-22F to 50C/122F	
STORAGE TEMPERATURE	-40C/-40F to 70C/158F	
MOUNTING TYPE	Wall Mount / Pedestal Mount	
WIRING TYPE	Hard-wired	
IP PERFORMANCE	NEMA 4	
IMPACT RESISTANCE	IK10	
DIMENSION (HxWxH, INCHES)	11.14" x 7.56" x 3.11"	
WEB PORTAL MANAGEMENT	N/A	Yes
CERTIFICATION	UL 50/991/1449/1998/2231/2594 FCC Part 15B	
	N/A	FCC Part 15.225 (RFID 13.56MHz) FCC Part 15.247 (WLAN 2.4GHz)
	N/A	FCC Part 27 (AT&T) or FCC Part 27 (Verizon)
PEDESTAL DIMENSIONS	6x6x48"	
PEDESTAL CONSTRUCTION	Aluminum, Grey Powder-Coat Finish, Stainless Steel Hardware	
WARRANTY	3-year (5-Year optional)	

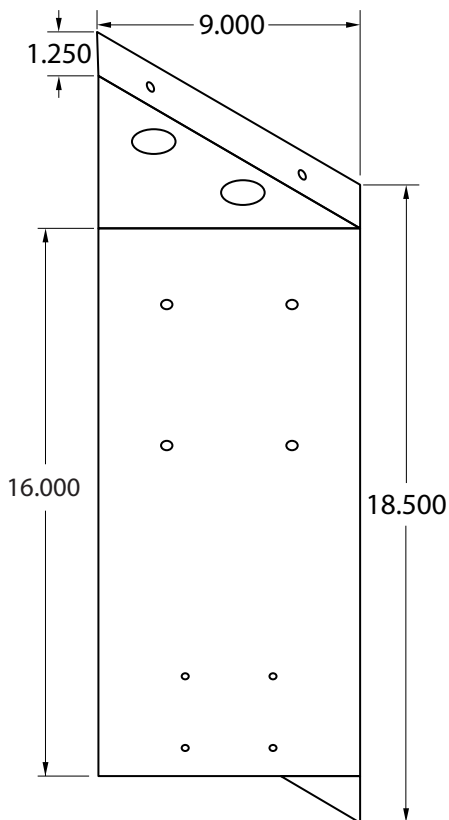
DIMENSIONS



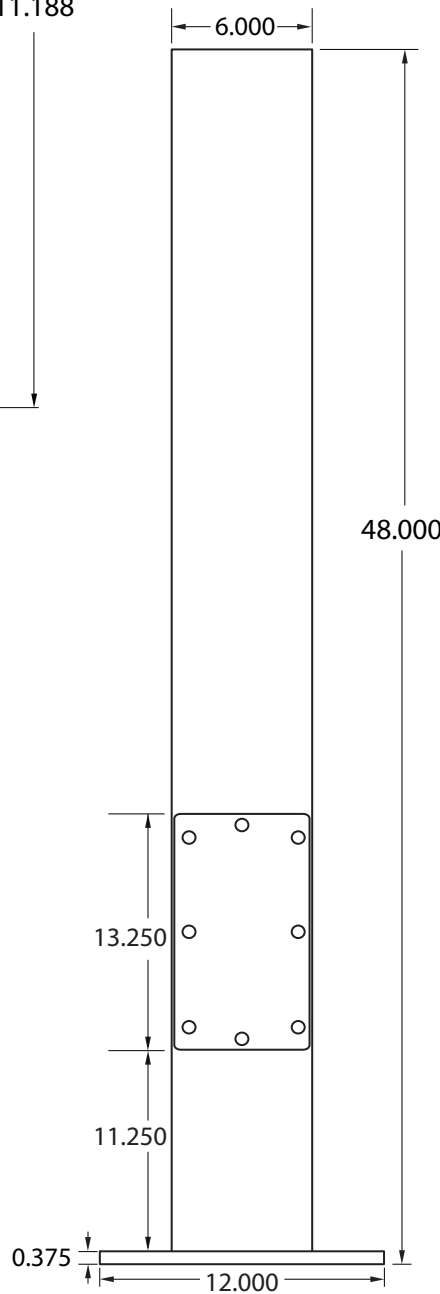
FRONT



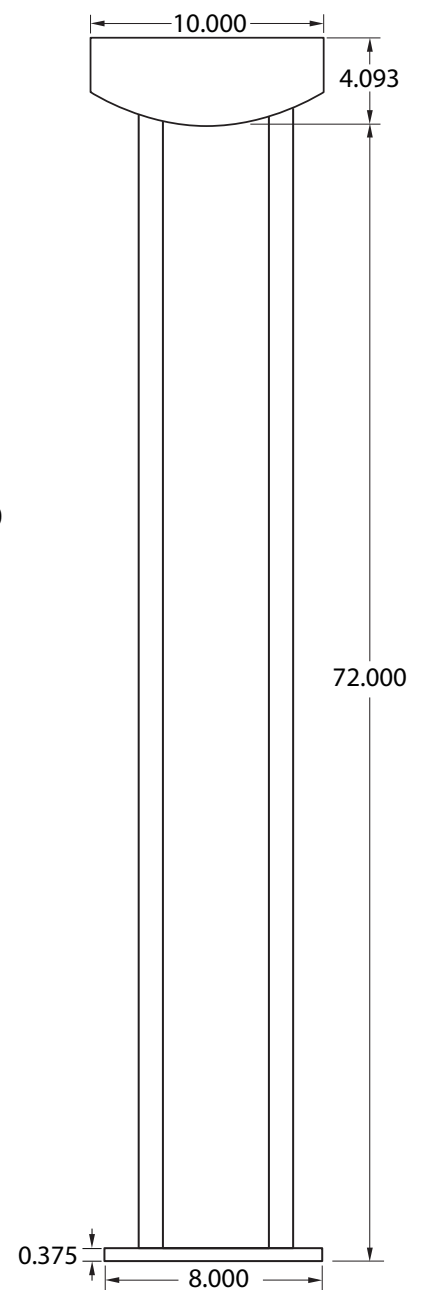
TOP VIEW



DUAL WALL MOUNT



6x6 PEDESTAL



DUAL RETRACTOR